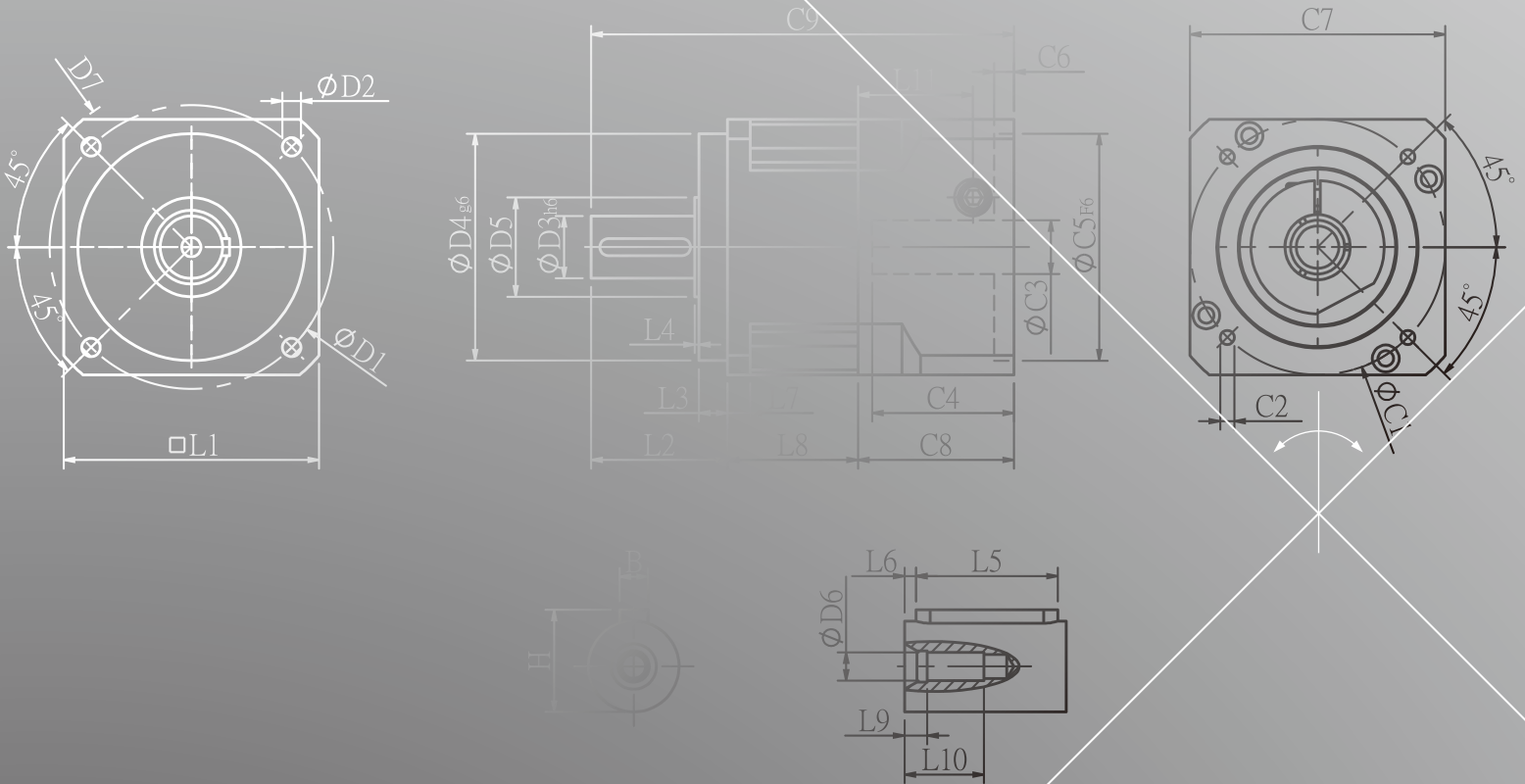
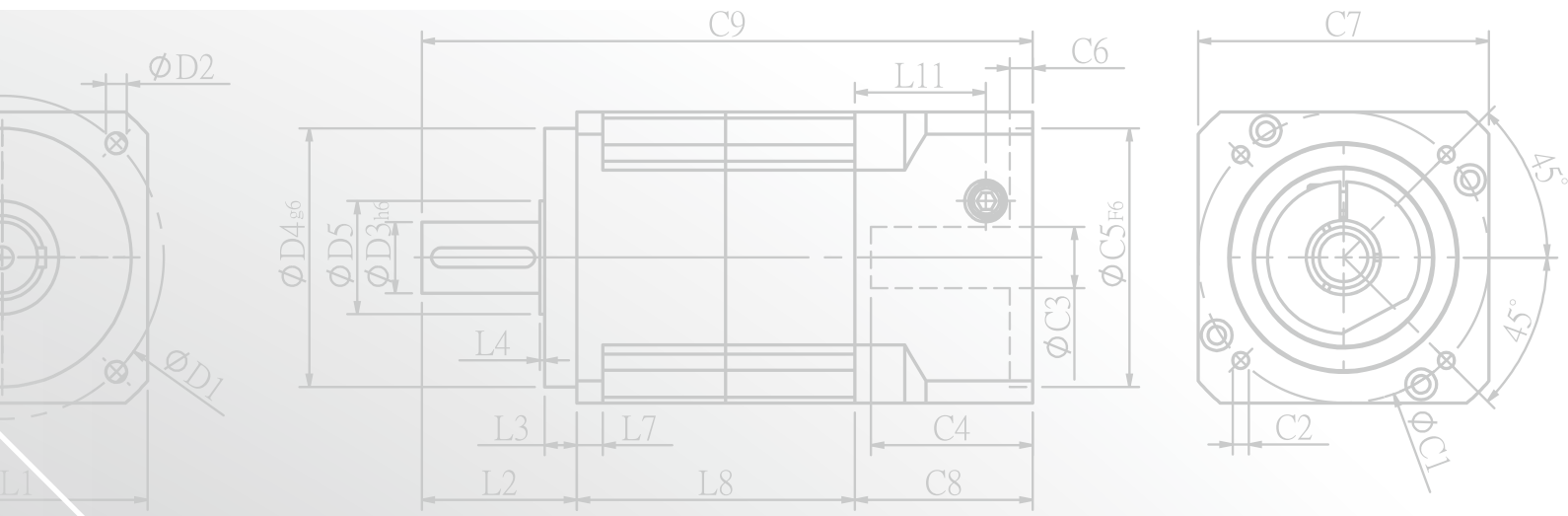
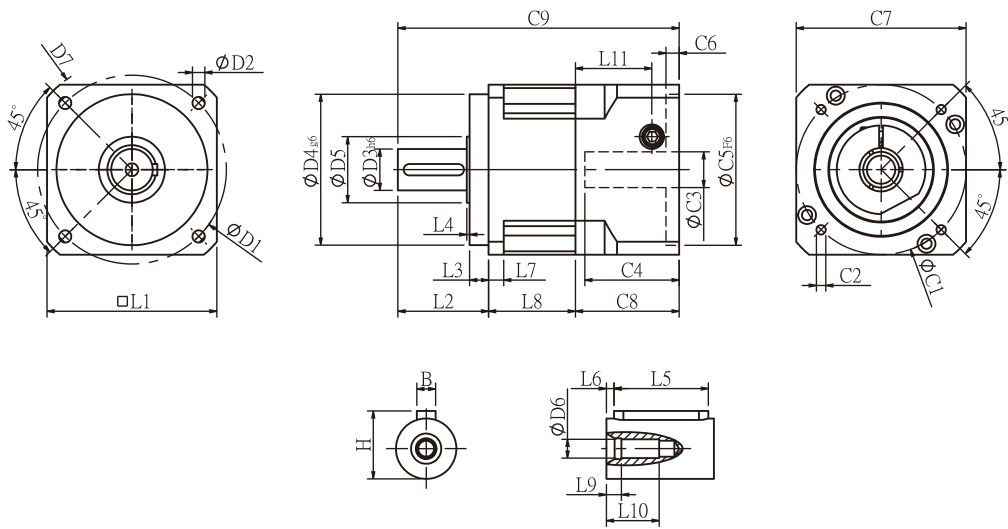


# PGLH SERIES





## PGLH Single Stage Dimensions



## Specifications

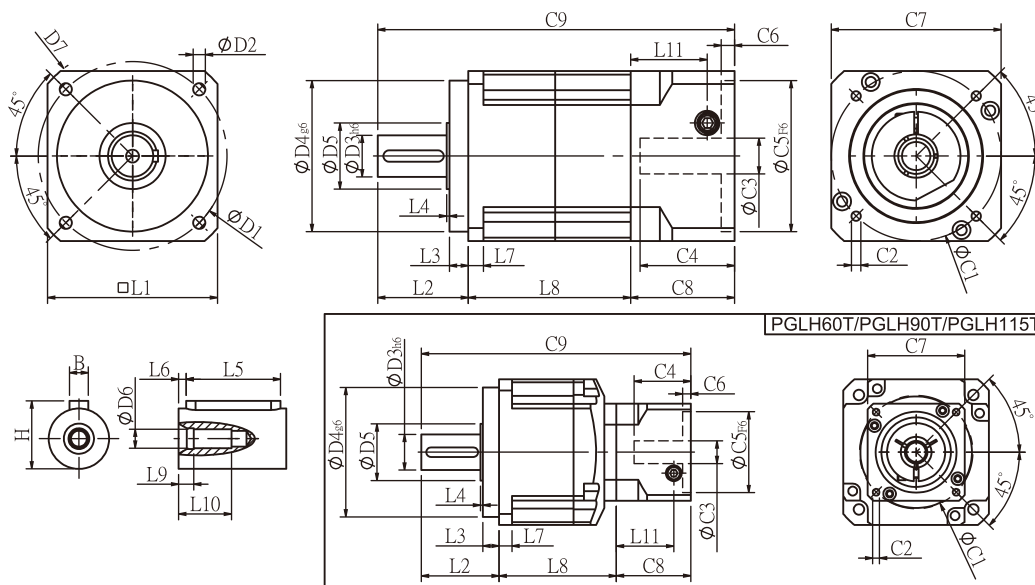
Unit:mm

Dimensions	PGLH42	PGLH60	PGLH90	PGLH115
D1	50	70	100	130
D2	3.4	5.5	6.5	8.5
D3 <sub>h6</sub>	13	16	22	32
D4 <sub>g6</sub>	35	50	80	110
D5	15	25	35	45
D6	M4x0.7P	M5x0.8P	M8x1.25P	M12x1.75P
D7	56	80	118	148
L1	42.6	60	90	115
L2	26	37	48	63
L3	5.5	7	10	10
L4	1	1.5	1.5	3.5
L5	15	25	32	40
L6	2	2	3	5
L7	4	6	8	11
L8	28.3	37	46	57
L9	4	4	4.5	6
L10	14	16.5	20.5	30
L11	29	35.5	40.5	53.7
C1 <sup>2</sup>	46	70	90	115
C2 <sup>2</sup>	M4x0.7P	M5x0.8P	M6x1.0P	M8x1.25P
C3 <sup>2</sup>	≤8/≤14	≤14/≤19	≤19/≤24	≤24/≤32/≤38
C4 <sup>2</sup>	27	37	41	56.3
C5 <sup>2</sup> <sub>F6</sub>	30	50	70	95
C6 <sup>2</sup>	4	4	6	10
C7 <sup>2</sup>	42.6	60	90	115
C8 <sup>2</sup>	38.5	46	55	75
C9 <sup>2</sup>	92.8	120	149	195
B	5	5	6	10
H	15	18	24.5	35

★ C1~C9 are motor specific dimensions(metric std shown ), Size may vary according to motor flange.

★ Specification subject to change without notice.

## PGLH Double Stage Dimensions



## Specifications

Unit:mm

Dimensions	PGLH42	PGLH60	PGLH60T	PGLH90	PGLH90T	PGLH115T
D1	50	70		100		130
D2	3.4	5.5		6.5		8.5
D3 h6	13	16		22		32
D4 g6	35	50		80		110
D5	15	25		35		45
D6	M4x0.7P	M5x0.8P		M8x1.25P		M12x1.75P
D7	56	80		118		148
L1	42.6	60		90		115
L2	26	37		48		63
L3	5.5	7		10		10
L4	1	1.5		1.5		3.5
L5	15	25		32		40
L6	2	2		3		5
L7	4	6		8		11
L8	55.3	70	65.5	90	78.5	99.5
L9	4	4		4.5		6
L10	14	16.5		20.5		30
L11	29	35.5	29	40.5	35.5	40.7
C1 <sup>2</sup>	46	70	46	90	70	90
C2 <sup>2</sup>	M4x0.7P	M5x0.8P	M4x0.7P	M6x1.0P	M5x0.8P	M6x1.0P
C3 <sup>2</sup>	≤8/≤14	≤14/≤19	≤8/≤14	≤19/≤24	≤14/≤19	≤19/≤24
C4 <sup>2</sup>	27	37	27	41	37	46
C5 <sup>2</sup> F6	30	50	30	70	50	70
C6 <sup>2</sup>	4	4	4	6	4	10
C7 <sup>2</sup>	42.6	60	42.6	90	60	90
C8 <sup>2</sup>	38.5	46	38.5	55	46	60
C9 <sup>2</sup>	119.8	153	141	193	172.5	222.5
B	5	5		6		10
H	15	18		24.5		35

★ C1~C9 are motor specific dimensions(metric std shown ), Size may vary according to motor flange.

★ Specification subject to change without notice.

## PGLH Specifications Table

Specifications		Stage	Ratio	PGLH-42	PGLH-60	PGLH-90	PGLH-115
Nominal Output Torque $T_{2N}$	N • m	1	3	19	53	145	290
			4	20	55	150	300
			5	17	54	140	290
			7	14	44	125	270
			10	11	37	95	220
		Stage	Ratio	PGLH-42	PGLH-60(T)	PGLH-90(T)	PGLH-115T
		2	15	19	53	145	290
			20	20	55	150	300
			25	17	54	140	290
			30	17	54	140	290
			35	17	54	140	290
			40	17	54	140	290
			50	17	54	140	290
			70	14	44	125	270
100	11	37	95	220			
Emergency Stop Torque $T_{2NOT}$	N • m	3.0 times of Nominal Output Torque (*Max. Output Torque $T_{2B}$ = 60% of Emergency Stop Torque)					
Nominal Input Speed $n_{1N}$	rpm	1,2	3-100	4000	4000	3000	3000
Max. Input Speed $n_{1max}$	rpm	1,2	3-100	8000	8000	6000	6000
Precision Backlash P1	arcmin	1	3-10	≤ 6	≤ 6	≤ 6	≤ 5
		2	12-100	≤ 8	≤ 8	≤ 8	≤ 7
Standard Backlash P2	arcmin	1	3-10	≤ 8	≤ 8	≤ 8	≤ 7
		2	12-100	≤ 10	≤ 10	≤ 10	≤ 9
Torsional Rigidity	N • m /arcmin	1,2	3-100	2.5	6	12	23
Max. Radial Load $F_{2rB}^{-1}$	N	1,2	3-100	640	1260	2230	4300
Max. Axial Load $F_{2aB}^{-1}$	N	1,2	3-100	410	600	1500	3310
Operating Temp.	°C	-10 °C ~ +90 °C					
Service Life	hr	20,000 (10,000/ Continuous operation)					
Efficiency	%	1	3-10	≥ 97%			
		2	12-100	≥ 94%			
Weight	kg	1	3-10	0.6	1.3	3.5	7.8
		2	12-100	0.9	2.0/1.56	5.6/3.9	9.5
Mounting Position	-	1,2	3-100	Any direction			
Noise Level <sup>2</sup>	dB(A)/1m	1,2	3-100	58	60	63	65
Protection Class	-	1,2	3-100	IP65			
Lubrication	-	1,2	3-100	Synthetic Lubricant			
Inertia(J1)							
Stage	Ratio	unit		PGLH-42	PGLH-60	PGLH-90	PGLH-115
1	3	Kg • cm <sup>2</sup>		0.03	0.23	0.97	2.35
	4			0.02	0.18	0.67	1.66
	5			0.02	0.17	0.65	1.50
	7			0.02	0.14	0.60	1.45
	10			0.02	0.14	0.58	1.41
Stage	Ratio			PGLH-42	PGLH-60(T)	PGLH-90(T)	PGLH-115T
2	15/20/25			0.02	0.17(0.02)	0.65(0.17)	0.65
	30/35/40			0.02	0.14(0.02)	0.60(0.14)	0.60
	50/70/100			0.02	0.14(0.02)	0.58(0.14)	0.58
<p>* 1. Applied to the output shaft center @100rpm.  * 2. Measured at 3000rpm with no load  ※ The above figures/specifications are subject to change without prior notice.</p>							

Products due to human error, natural disasters or other factors lead to poor or damaged, will not be covered under warranty.